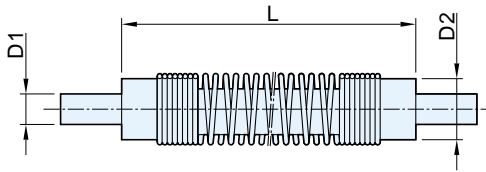


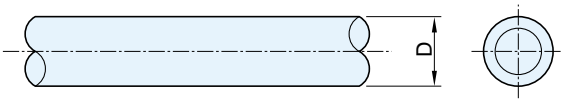
F/L/E/X/I/B/L/E H/O/S/E



TUBE DIA. (outside)	D1	D2	USING PRESSURE
ø 4	ø 4	ø 8	MAX. 13kg/cm ²
ø 6	ø 6	ø 10	MAX. 25kg/cm ²

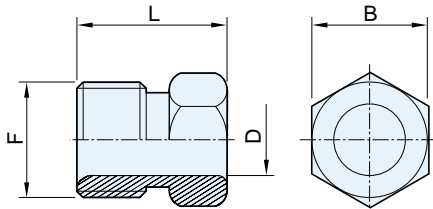
PIPE LAYING STANDARD	Code NO.	REMARK
ø 4	EX)4F-050	L=50cm
ø 6	EX)6F-350	L=350cm

T/U/B/E



Code NO.	D	MATERIAL
70014N	ø 4	Nylon
70016N	ø 6	Nylon
70014C	ø 4	Bs
70016C	ø 6	Bs

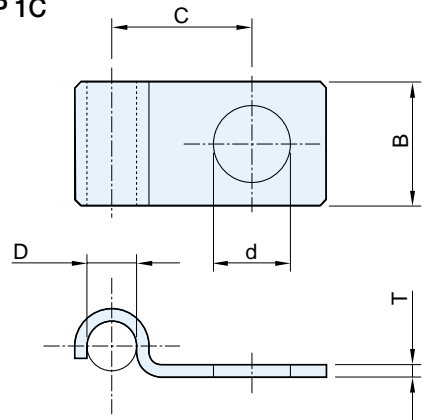
B/U/S/H/I/N/G



Code NO.	TUBE DIA. (outside)	B	L	D	F
51074	ø 4	10	12	ø 4,2	M8×1P
51076	ø 6	10	13	ø 6,2	M10×1P
51077	ø 6	12	13	ø 6,2	PF 1/8

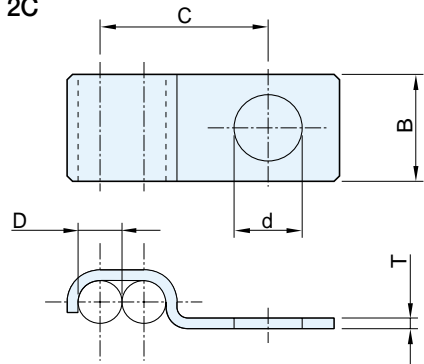
T/U/B/E C/L/A/M/P

CLAMP 1C

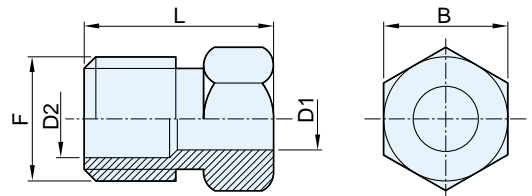


Code NO.	TUBE DIA. (outside)	D	B	d	C	T
51054	ø 4	ø 4	10	6,2	11,3	1,0
51056	ø 6	ø 6	10	6,2	12,3	1,0

CLAMP 2C



Code NO.	TUBE DIA. (outside)	D	B	d	C	T
51064	2-ø 4	ø 4	10	6,2	13	1,0
51066	2-ø 6	ø 6	10	6,2	15	1,0



Code NO.	TUBE DIA. (outside)	B	L	D1	D2	F
51174	ø 4	8	12,2	ø 4,2	ø 5	M8×1P
51176	ø 6	10	13	ø 6,2	ø 7	M10×1P

Material : Steel