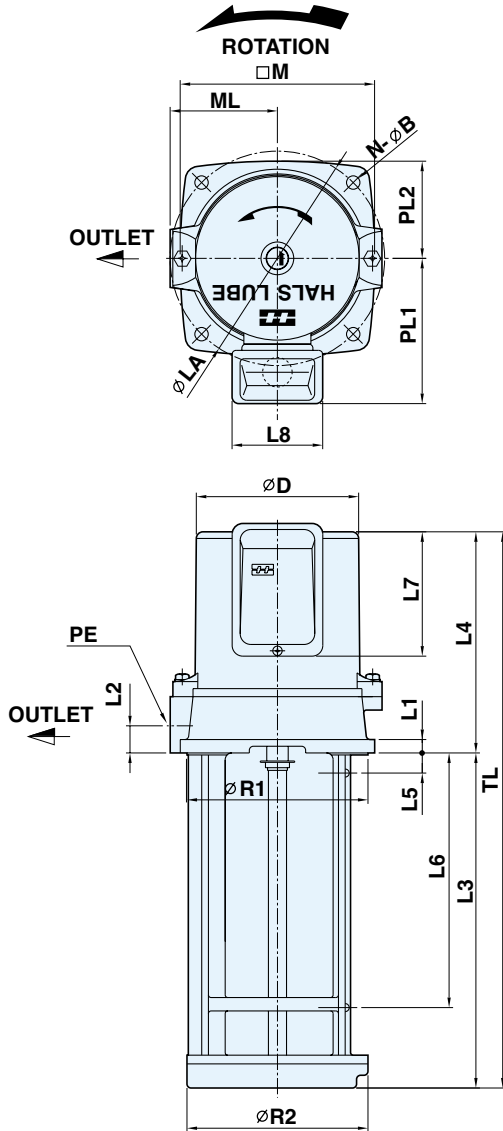
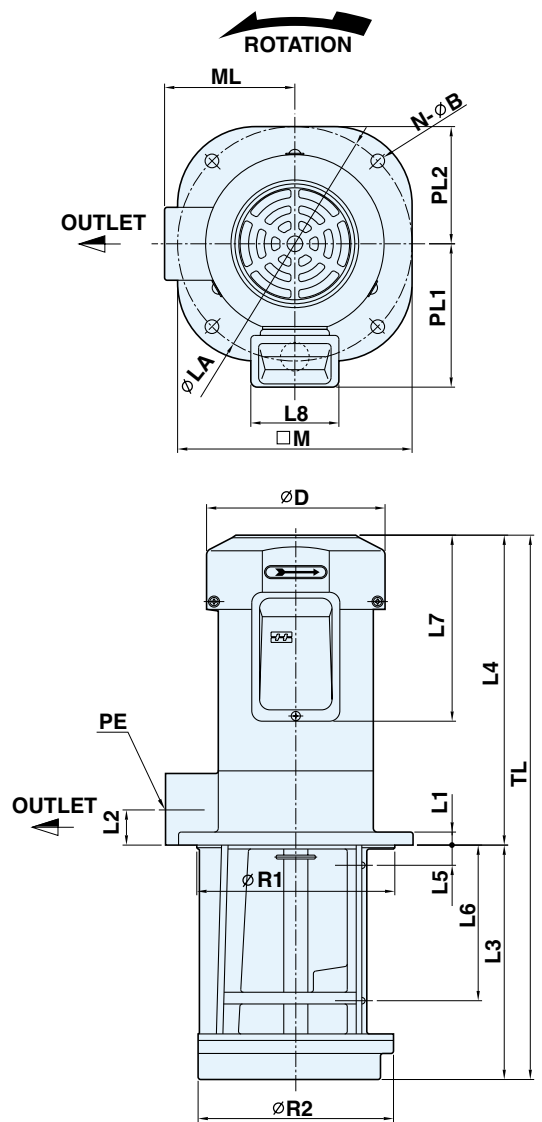


## 외형도(External Figure)

HCP-180F-25



HCP-418F~628F



## 외형치수(Dimension)

형식 \ 구분	∅D	L1	L2	L3	L4	L5	L6	L7	L8	PE	TL	R1	R2	LA	N-∅B	PL1	PL2	M	ML
HCP-180F-25	121	10	20	250	165	15	190	93	67.6	PF 1/2	415	135	135	160	4-10	108.5	72.5	145	80
HCP-418F	137	10	27	180	238	20	122	143	67.6	PT1	418	152	150	180	4-10.5	110	90	180	100
HCP-428F	137	10	27	280	238	20	220	143	67.6	PT1	518	152	150	180	4-10.5	110	90	180	100
HCP-628F	137	10	27	280	238	20	220	143	67.6	PT1	518	152	150	180	4-10.5	110	90	180	100